

[INCH-POUND]
A-A-55485/5A
7 March 2003
SUPERSEDING
A-A-55485/5
September 30, 1993

COMMERCIAL ITEM DESCRIPTION
SPECIFICATION SHEET

MOUNTING PADS, ELECTRICAL-ELECTRONIC COMPONENT,
LEAD CONVERSION, .200 or .230 DIAMETER PIN CENTER TO A GRID PATTERN

The General Services Administration has authorized the use of
this commercial item description (CID) as a replacement for
MIL-M-38527/5D for all federal agencies.

The complete requirements for procuring the mounting pads described herein shall consist of this
document and the issue in effect of CID A-A-55485.

CLASSIFICATION/PART OR IDENTIFICATION NUMBER (PIN). This CID uses a classification system
which is included in the Part Identification Number (PIN) as shown in the following example (see NOTES).



SALIENT CHARACTERISTICS.

Interface and physical dimensions. Mounting pads supplied to this CID shall be as specified herein (see
figure 1).

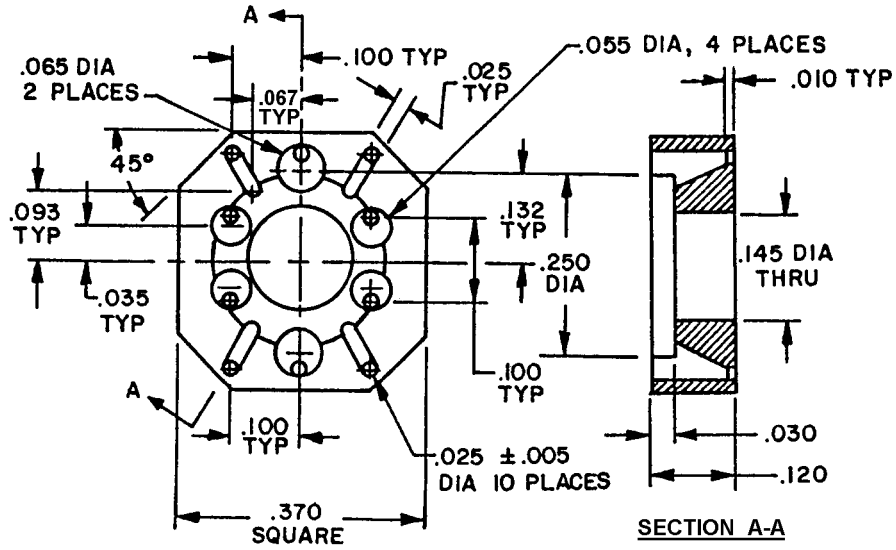
Material. Material shall be diallyl phthalate (D) or nylon (N), or polyphenylene sulfide (S).

Marking. Not applicable.

NOTES.

PIN. The PIN should be used for Government purposes to buy commercial products to this CID. See
classification information for PIN format example.

A-A-55485/5A

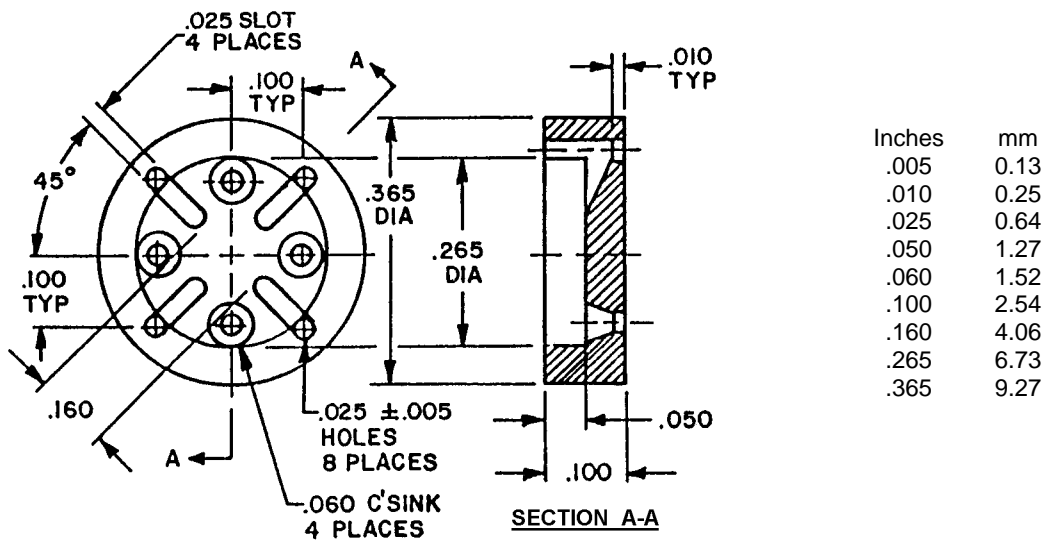


A-55485/05-001

Inches	mm
.005	0.13
.010	0.25
.025	0.64
.030	0.76
.035	0.89
.055	1.40
.065	1.65
.067	1.70
.093	2.36
.100	2.54
.120	3.05
.132	3.35
.145	3.68
.250	6.35
.370	9.40

FIGURE 1. Configurations and dimensions.

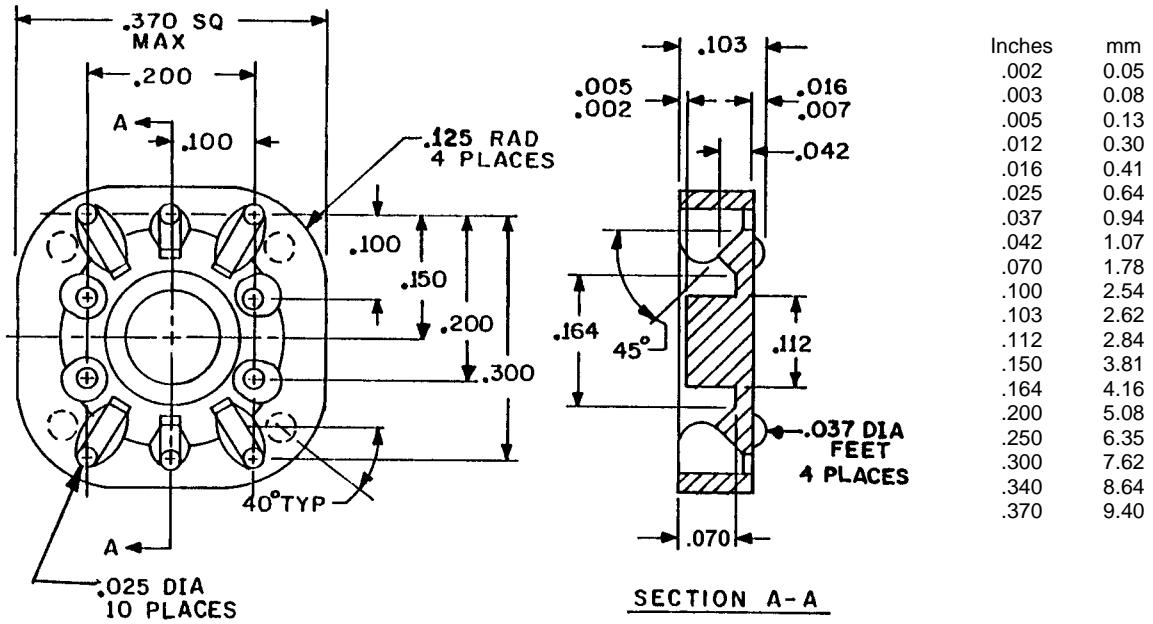
A-A-55485/5A



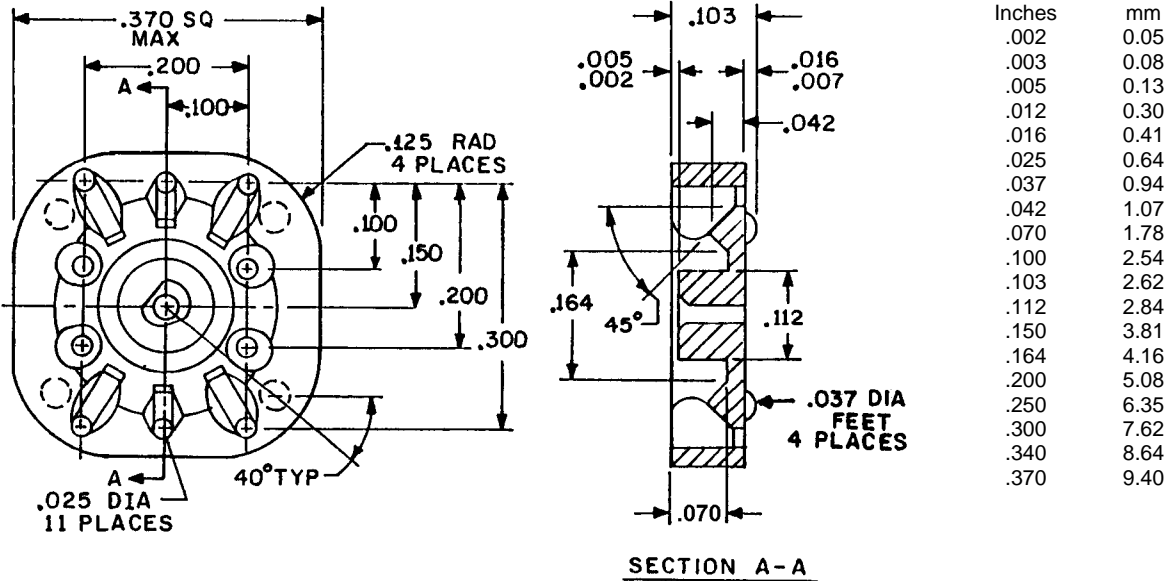
A-55485/05-002

FIGURE 1. Configurations and dimensions - Continued.

A-A-55485/5A



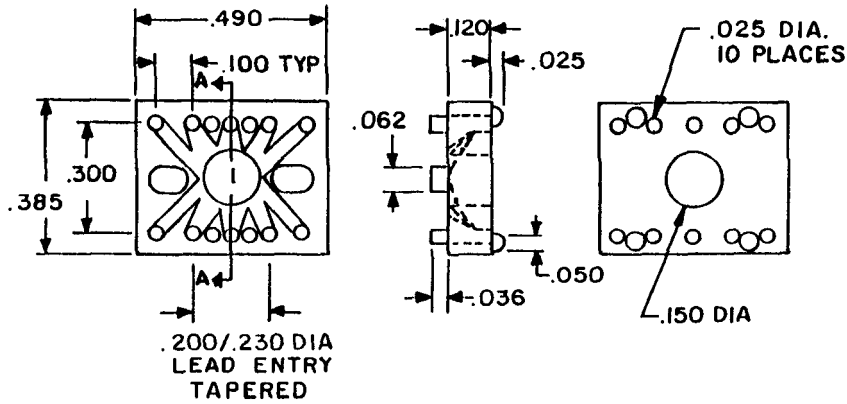
A-55485/05-003



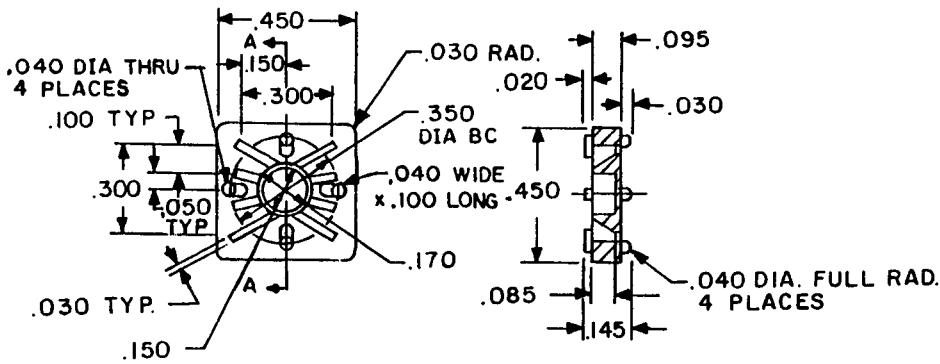
A-55485/05-004

FIGURE 1. Configurations and dimensions - Continued.

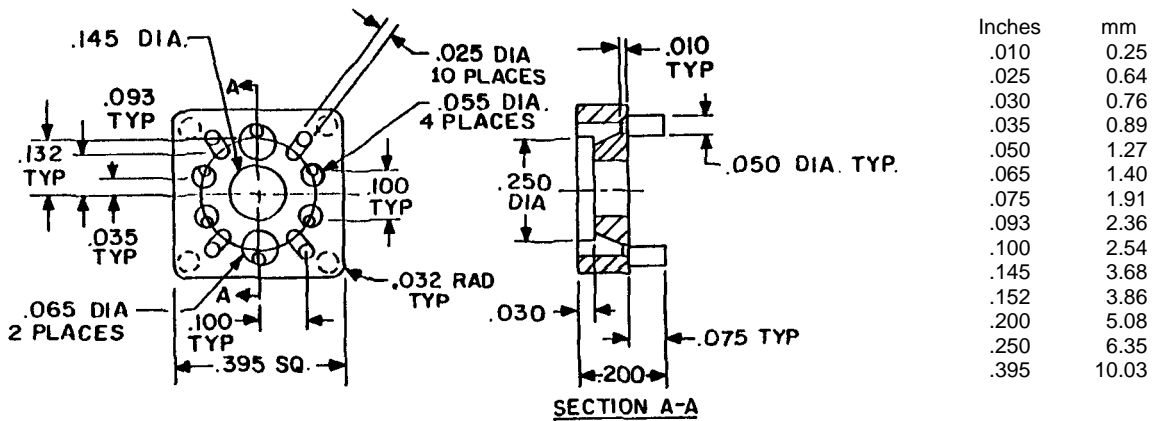
A-A-55485/5A



A-55485/05-005



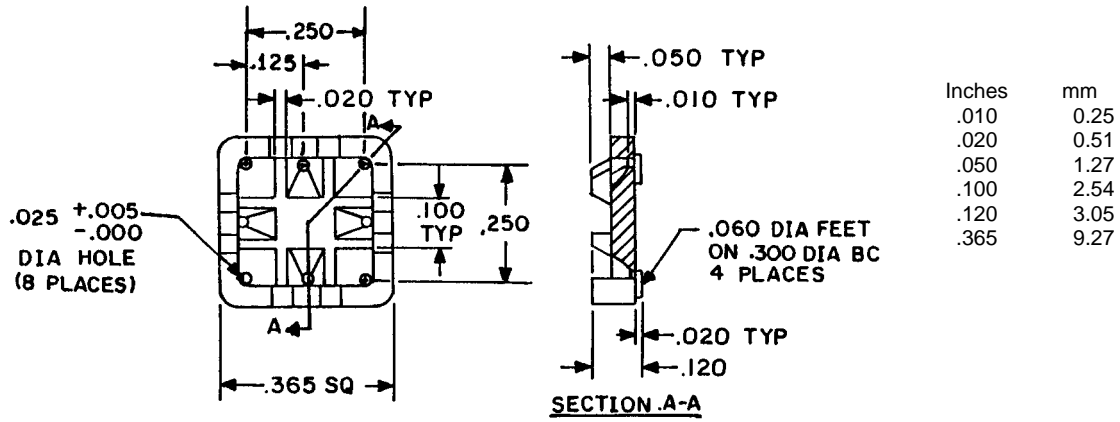
A-55485/05-006



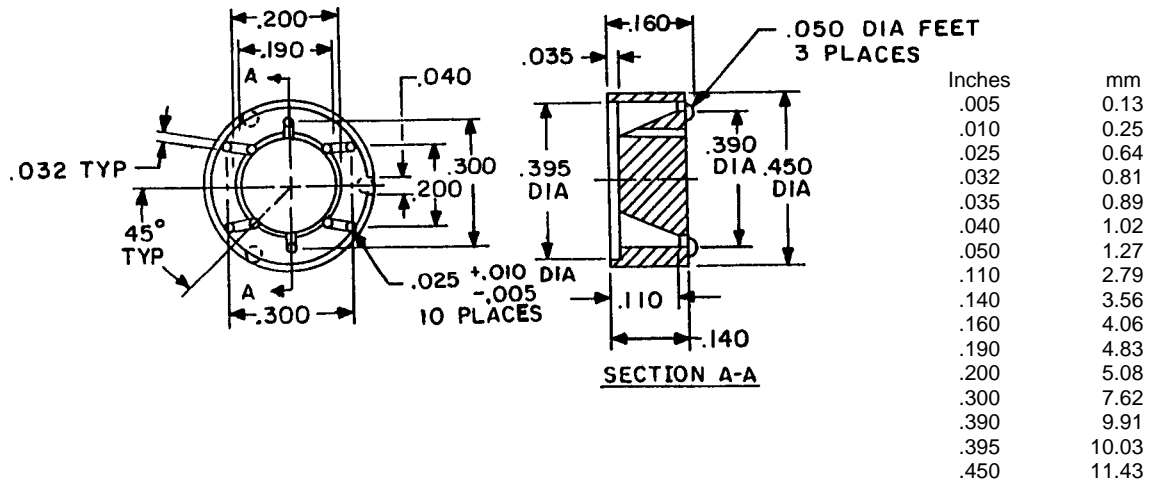
A-55485/05-007

FIGURE 1. Configurations and dimensions - Continued.

A-A-55485/5A



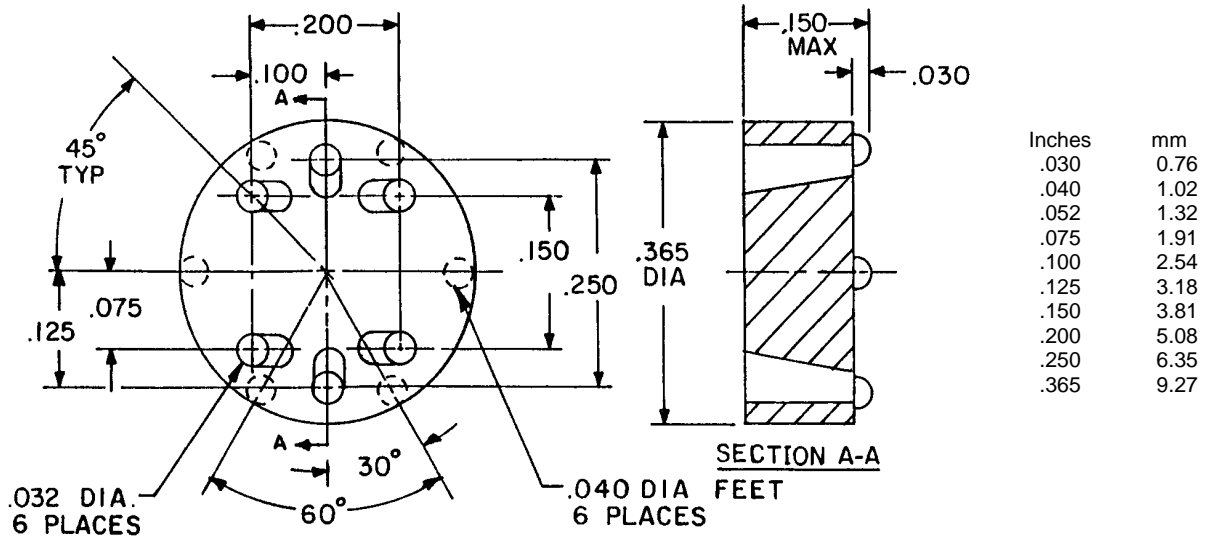
A-55485/05-008



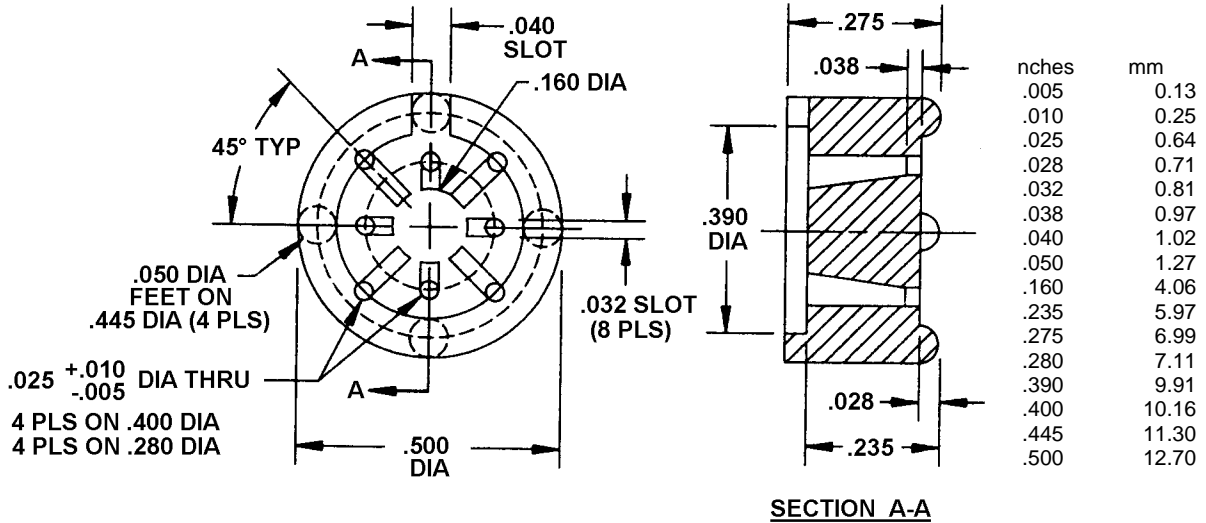
A-55485/05-009

FIGURE 1. Configurations and dimensions - Continued.

A-A-55485/5A



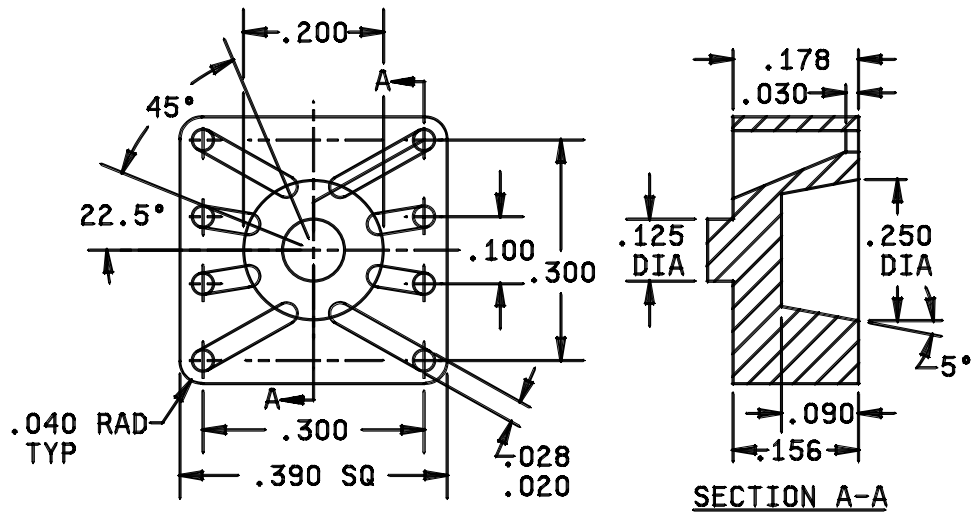
A-55485/05-010



A-55485/05-011

FIGURE 1. Configurations and dimensions - Continued.

A-A-55485/5A

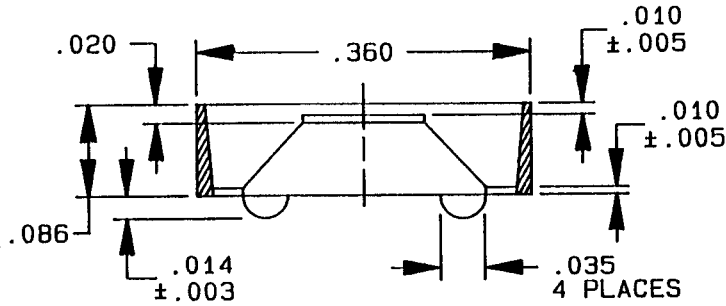
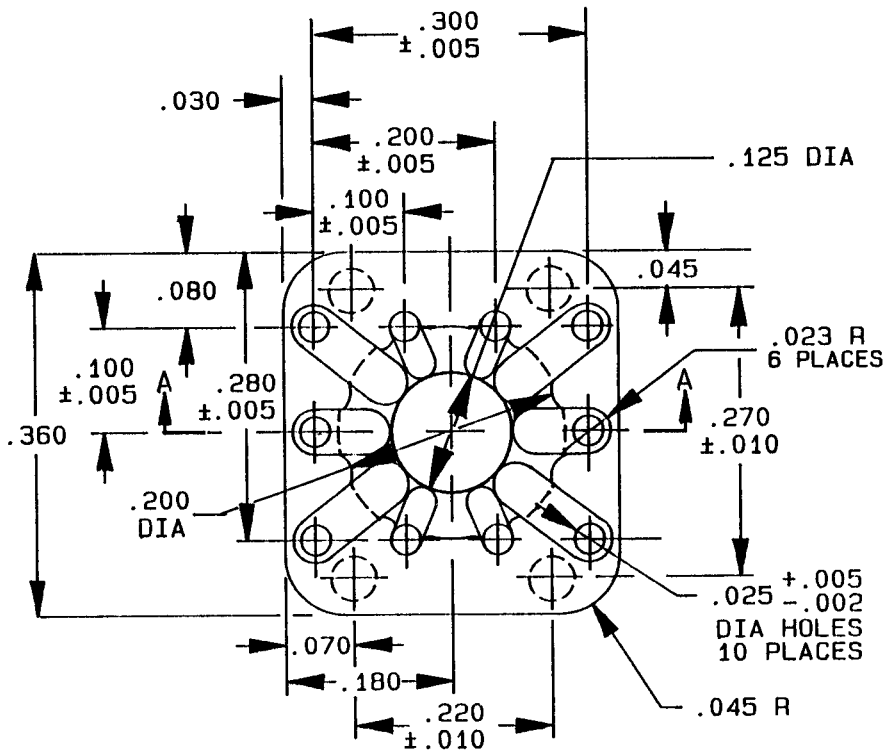


A-55485/05-012

Inches	mm
.020	0.51
.028	0.71
.030	0.76
.040	1.02
.090	2.29
.100	2.54
.125	3.18
.156	3.96
.178	4.52
.200	5.08
.250	6.35
.300	7.62
.390	9.91

FIGURE 1. Configurations and dimensions - Continued.

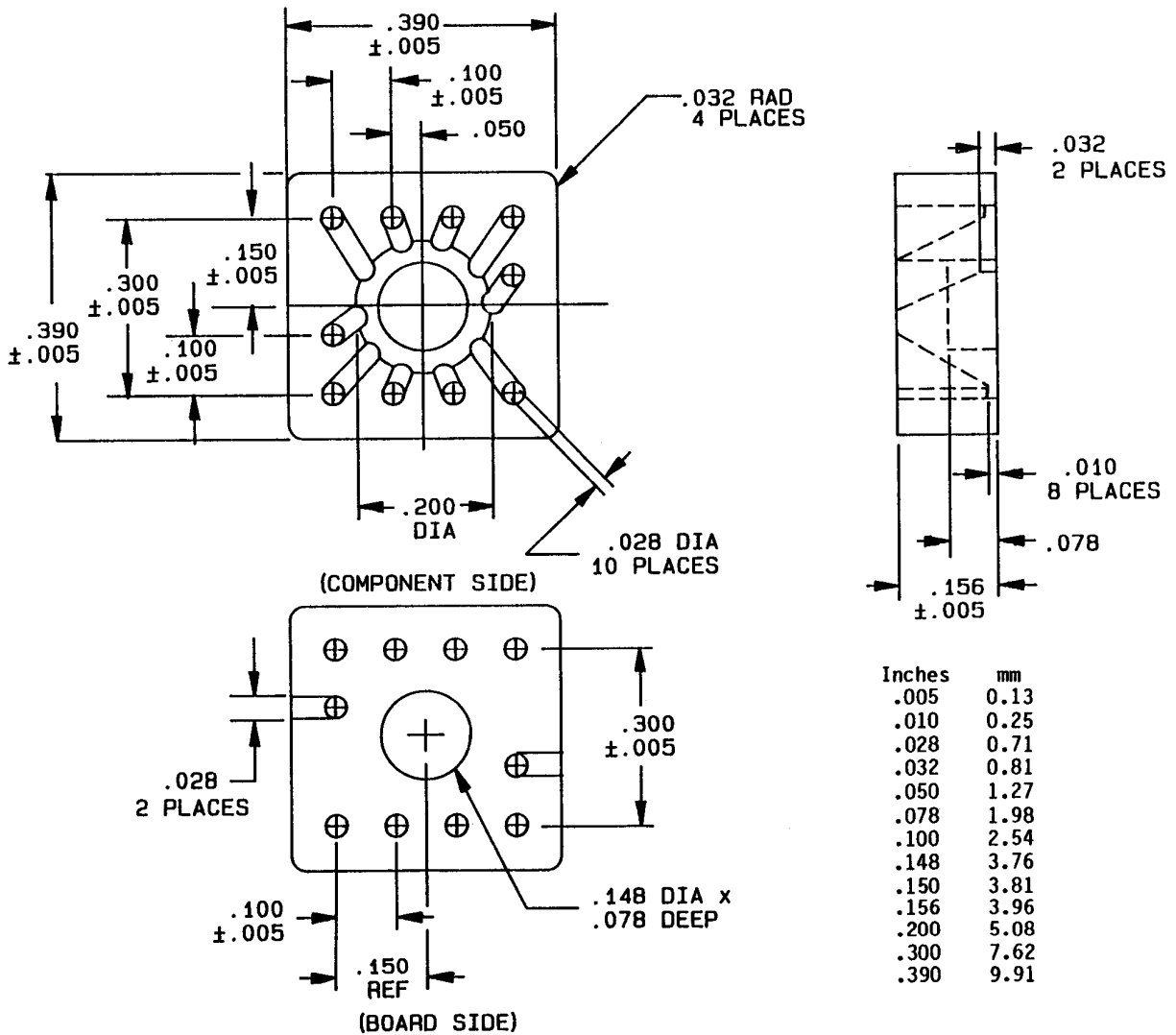
A-A-55485/5A



SECTION A-A

A-55485/05-013

FIGURE 1. Configurations and dimensions - Continued.



A-55485/05-014

NOTES:

1. Dimensions are in inches.
2. Metric equivalents are given for general information only.
3. Tolerance on height of pad shall be $\pm .015$ (0.38 mm).
4. Unless otherwise specified, tolerances are $\pm .010$ (0.25 mm) for decimals and $\pm 1^\circ$ on angles. A $.010$ (0.25 mm) radius is permissible on corners and edges. A 1° draft is permitted on sides.

FIGURE 1. Configurations and dimensions - Continued.

Commercial products. As part of the market analysis and research effort, this CID was coordinated with the following manufacturers of commercial products. At the time of CID preparation and coordination, these manufacturers were known to have commercial products that would meet the requirements of this CID. (NOTE: This information should not be considered as a list of approved manufacturers or be used to restrict procurement to only the manufacturers shown.)

<u>MFR's CAGE</u>	<u>MFR's name and address</u>	<u>MFR's CAGE</u>	<u>MFR's name and address</u>
0ZK84	Micro-Dimensional Products, Inc 548 North Trooper Road Norristown, PA 19403-4536 (610) 630-4658 http://www.microdimensional.com	32559	Bivar, Inc. 4 Thomas Irvine, CA 92718-2512 (949) 951-8808 http://www.bivar.com
30161	Aavid Thermalloy 80 Commercial Street Concord, NH 03301 (603) 224-9988 http://www.aavidthermalloy.com	53174	APX Plastics Company 3407 Dalworth Street Arlington, TX 76011-6815 (817) 275-3883 http://www.apxplastics.com
21071	Globe Plastics, Inc. 13477 Twelfth Street Chino, CA 91710-5206 (909) 464-1520 http://www.globecomposites.com	54355	Accessories For Electronics, Inc. 195-Q Central Avenue E. Farmingdale, NY 11735 (631) 847-0158 http://www.afeaccess.com

A-A-55485/5A

Part number (P/N) supersession data. These CID PINs supersede the following MFR's P/N's (table I) and MIL-M-38527/5 P/N's (table II) as shown. This information is being provided to assist in reducing proliferation in the Government inventory system.

TABLE I. P/N Supersession data.

Dash number (see figure 1) A-55485/05-	Manufacturers part number ^{1/}					
	CAGE 0ZK84	CAGE 30161	CAGE 21071	CAGE 32559	CAGE 53174	CAGE 54355
001D	10335D		10462-2		AP-327/D	965-569D
001N	10335N		10462-1		AP-327/N	965-569N
001S	10335PPS		10462-5		AP-327/R	965-569S
002D	10336D		10682-2		AP-385/D	965-570D
002N	10336N		10682-1		AP-385/N	965-570N
002S	10336PPS		10682-5		AP-385/R	965-570S
003D	10510D		10524-2		AP-434/D	965-574D
003N	10510N		10524-1		AP-434/N	965-574N
003S	10510PPS		10524-5		AP-434/R	965-574S
004D			10526-2		AP-500/D	965-654D
004N			10526-1		AP-500/N	965-654N
004S			10526-5		AP-500/R	965-654S
005D			10528-2		AP-461/D	965-655D
005N	10591N		10528-1	810-187	AP-461/N	965-655N
005S			10528-5		AP-461/R	965-655S
006D			10530-2		AP-424/D	965-580D
006N	10609N		10530-1		AP-424/N	965-580N
006S			10530-5		AP-424/R	965-580S
007D	10318D		10660-2		AP-435/D	965-588D
007N	10318N		10660-1		AP-435/N	965-601N
007S	10318PPS		10660-5		AP-435/R	965-601S
008D	10272D				AP-403/D	965-656D
008N	10272N				AP-403/N	965-656N
008S	10272PPS				AP-403/R	
009D					AP-489/D	965-657D
009N					AP-489/N	965-657N
009S						
010D			10536-2		AP-235/D	965-578D
010N	10175N		10536-1		AP-235/N	965-578N
010S			10536-5		AP-235/R	965-578S
011D			10314-2		AP-018/D	965-519D
011N	10635N		10314-1		AP-018/N	965-519N
011S			10314-5		AP-018/R	965-519S

See footnotes at end of table.

A-A-55485/5A

TABLE I. P/N Supersession data - Continued.

Dash number (see figure 1) A-55485/05-	Manufacturers part number ^{1/}					
	CAGE OZK84	CAGE 30161	CAGE 21071	CAGE 32559	CAGE 53174	CAGE 54355
012D	10615D		10538-2		AP-453/D	965-660D
012N	10615N	7717-245N			AP-453/N	965-660N
012S	10615PPS		10538-5		AP-453/R	965-660S
013D			10888-2		AP-443/D	965-661D
013N			10888-1		AP-443/N	965-661N
013S			10888-5		AP-443/R	965-661S
014D	10411D		10892-2		AP-372/D	965-662D
014N	10411N		10892-1		AP-372/N	965-662N
014S	10411PPS		10892-5		AP-372/R	965-662S

^{1/} The manufacturer's P/N shall not be used for procurement to the requirements of this CID. At the time of preparation of this CID, the aforementioned commercial products were reviewed and could be replaced by the CID PIN shown. For actual part marking requirements see the marking paragraph.

TABLE II. MIL-M-38527/5 P/N supersession data. ^{1/}

Superseded part number M38527/05 -	Replacement CID Part number A-55485/05 -
001	001
002	002
003	003
004	004
005	005
006	006
007	007
008	008
009	009
010	010
011	011
012	012
013	013
014	014

^{1/} Complete PIN shall include a suffix letter to denote material.

A-A-55485/5A

MILITARY INTERESTS:

Custodians:
Army - CR
Navy - EC
Air Force - 11
DLA - CC

CIVIL AGENCY COORDINATING ACTIVITY:

GSA - 7FXE

Preparing activity:

DLA - CC

(Project 5999-0389-02)